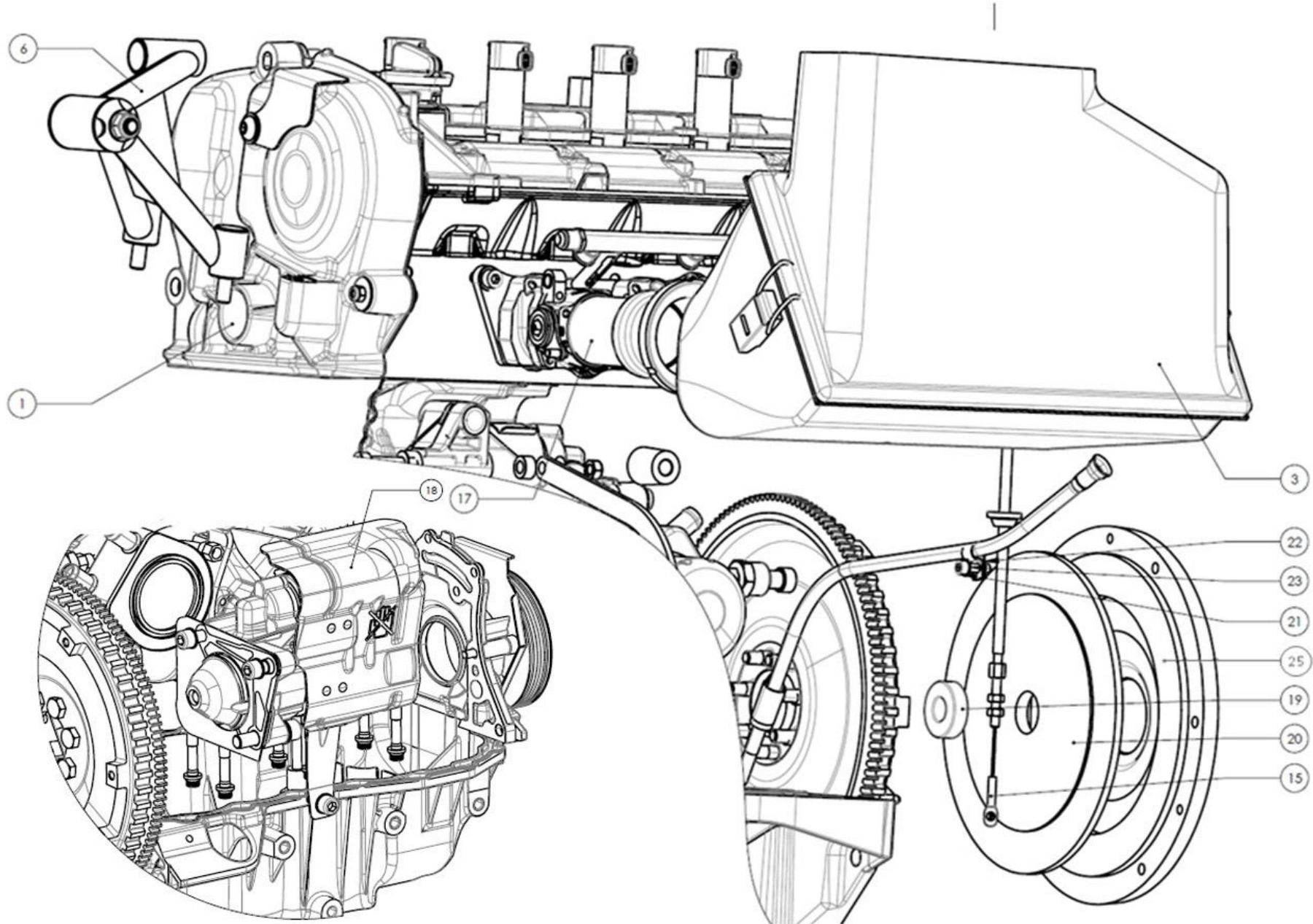




**MITJET  
SERIES  
RUSSIA**  
POWERED BY ARCTIC ENERGY

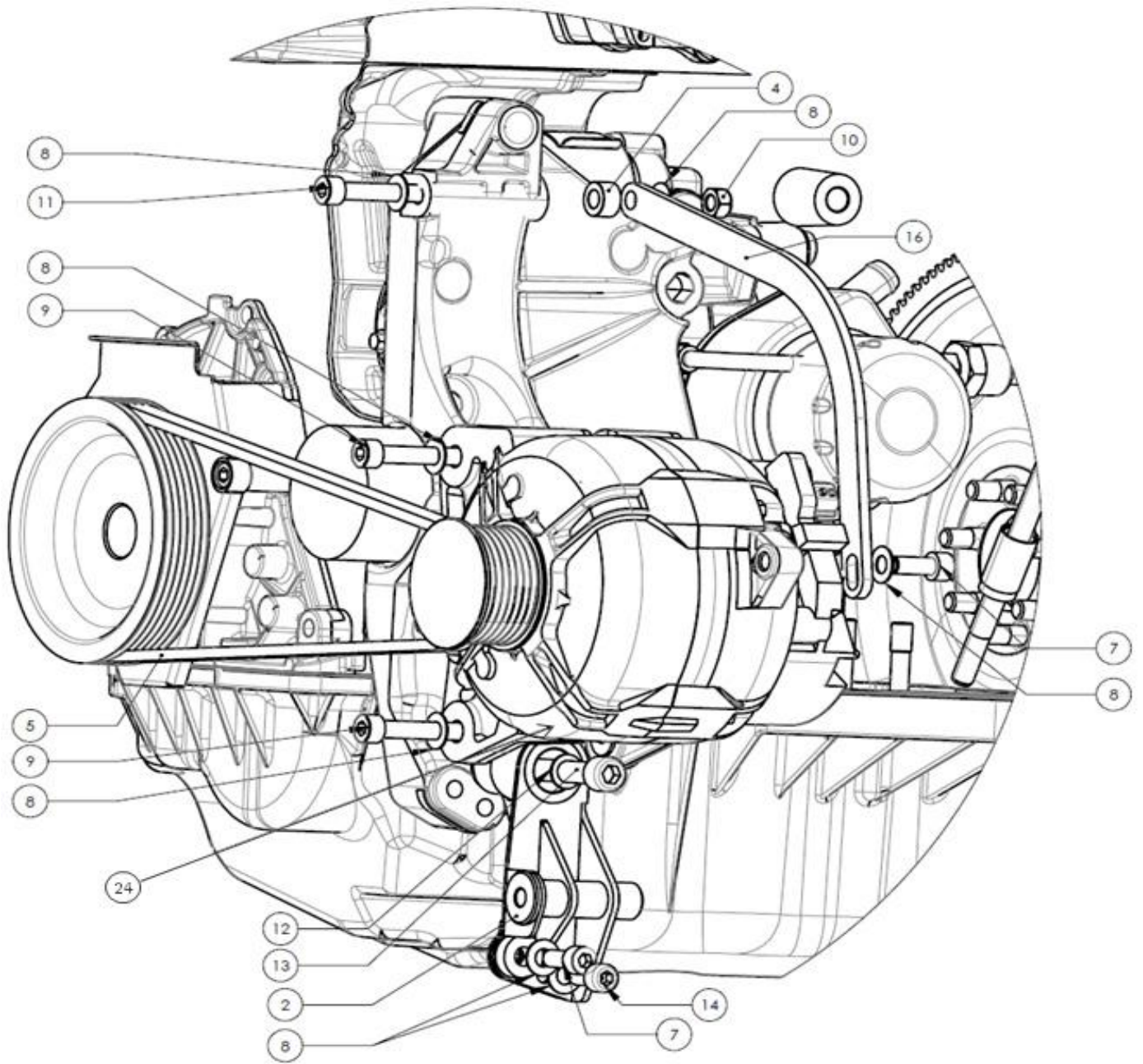
## MOTEUR





**MITJET  
SERIES  
RUSSIA**  
POWERED BY ARCTIC ENERGY

## MOTEUR





**MITJET  
SERIES  
RUSSIA**

POWERED BY ARCTIC ENERGY

### TARIFS HT

N°	REF	DESCRIPTION	DESCRIPTION	QTE
1	<b>EQ200A</b>	MOTEUR PREPARE MITJET	ENGINE PREPARED FOR MITJET	1
	<b>EQ200</b>	MOTEUR F4R ORIGINE	ENGINE F4R ORIGINAL	2
2	<b>EQ202</b>	SUPPORT ALTERNATEUR INF	LOWER ALTERNATOR BRACKET	1
3		BOITE A AIR (CF BOITE A AIR)	AIR BOX (Cf BOITE A AIR)	
4	<b>EQ227</b>	ENTRETOISE TIRANT ALT.	ALTERNATOR STAY BAR BUSH	1
5	<b>EQ213</b>	COURROIE 5PK820	ALTERNATOR DIVE BELT 5PK820	1
6	<b>EQ216</b>	SUPPORT MOTEUR AV ASM	FRONT ENGINE MOUNT	
7	<b>CC234</b>	VIS CHC M8X20 CL8.8 ZN	CAP HEAD SCREW CHC M8X20 CL8.8 ZN	2
8	<b>EQ228</b>	RONDELLE D8 ONDULEE	ANTI VIBRATION WASHER D8	7
9	<b>EQ231</b>	VIS CHC M8X100/30 CL12.9	CAP HEAD SCREW M8X100/30 CL12.9	2
10	<b>BV219</b>	ECROU M8 NYLSTOP ZINGUE	ZINC NYLOCK NUT M8	1
11	<b>EQ245</b>	VIS CHC M8x90-28	CAP HEAD SCREW M8X90-28	1
12	<b>TAV241</b>	RONDELLE D10 SCHNORR	SCHNORR WASHER D10	1
13	<b>TR223</b>	VIS CHC M10x50-32 CL12.9	CAP HEAD SCREW M10X50-32 CL12.9	1
14	<b>BV224</b>	VIS CHC M8x16 CL12.9	CAP HEAD SCREW M8X16 CL12.9	1
15	<b>P206A</b>	CABLE ACCELERATEUR V2	ACCELERATOR CABLE V2	1
16	<b>EQ340</b>	TIRANT SUP. ALTERNATEUR	ALTERNATOR STAY BAR	1
17	<b>EQ252</b>	ADMISSION 4 PAP (CF ADMISSION 4 PAP)	4 PORT INLET MANIFOLD	1
18	<b>EQ255</b>	DEMARREUR (CF DEMARREUR)	STARTER MOTOR	1
19	<b>EQ333</b>	ROULEMENT VOLANT MOTEUR	FLYWHEEL BEARING	1
20	<b>TR231</b>	DISQUE EMBRAYAGE 4 PATINS	CLUTCH PLATE 4 LAYER	1
21	<b>EQ226</b>	VIS CHC M6-20 CL 8.8	CAP HEAD SCREW M6X20 CL 8.8	1
22	<b>EQ221</b>	COLLIER DE MAINTIEN DIAM RSG	DIP STICK TUBE CLAMP D6 RSGU	1
23	<b>EQ225</b>	RONDELLE D6 D12 EP0 5 ONDULEE	ANTI VIBRATION WASHER D6 D12 0.5mm	1
24	<b>EQ201</b>	ALTERNATEUR 2L	ALTERNATOR 2L	1
25	<b>EQ269</b>	MECANISME EMBRAYAGE	CLUTCH	1