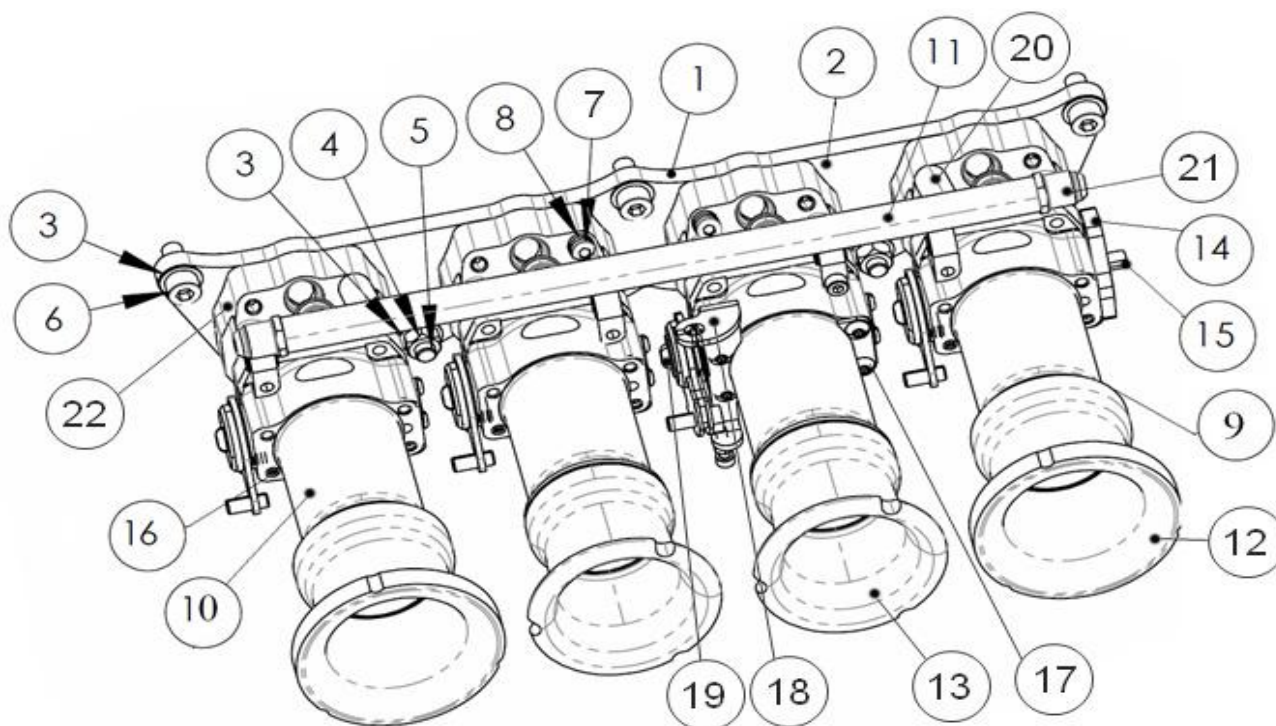


## ADMISSION



## TARIFS HT

N°	REF	DESCRIPTION	DESCRIPTION	QTE
1	EQ252	ADMISSION 4 PAP	4 PORT INLET MANIFOLD	1
2	EQ334	BRIDE D'ADMISSION 4 PAPILLONS	4 PORT INLET MANIFOLD ATTACHMENT	1
3	EQ228	RONDELLE D8 ONDULEE	ANTI VIBRATION WASHER D8	5
4	BV219	ECROU M8 NYLSTOP ZINGUE	ZINC NYLOCK NUT M8	2
5	EQ365	GOUJON ADMISSION M8X30	INLET MANIFOLD STUD M8X30	2
6	CH244	VIS CHC M8x20 cl 12.9	CAP HEAD SCREW M8X20 CL 12.9	3
7	EQ359	VIS CHC M6x16 CL 8.8 SUPPORT CABLE	CAP HEAD SCREW M6X16 CL8.8 CABLE	4
8	CC230	RONDELLE D6 D12 CONTACT	WASHER D6 D12	4
9	EQ337	RONDELLE CORNET Ø50	TRUMPET WASHER Ø50	4
10	EQ338	CORPS DE CORNET 45-50x100	TRUMPET BODY 45-50X100	4
11	EQ345	RAMPE DE CARBURANT	FUEL GALLERY	1
12	EQ335	CORNET ADMISSION USINE	INLET TRUMPET FACTORY	2
13	EQ336	CORNET ADMISSION	INLET TRUMPET STANDARD	2
14	EQ348	SUPPORT CAPTEUR TPS	THROTTLE POSITION SENSOR SUPPORT	1
15	EQ349	AXE CAPTEUR TPS	THROTTLE POSITION SENSOR BAR	1
16	EQ350	BRIDE CORPS CORNET	TRUMPET BODY PLATE	8
17	EQ351	VIS DE BRIDE CORPS CORNET	TRUMPET BODY PLATE SCREWS	16
18	EQ346A	SUPPORT CABLE ACCELERATEUR EVO	EVO ACCELERATOR CABLE SUPPORT	1
19	EQ347	ESCARGOT D ADMISSION	ACCELERATOR CABLE CAM	1
20	EQ224	TOLE SUPPORT RAMPE INJECTION	FUEL GALLERY SUPPORT BRACKET	2
21	EQ339	RACCORD ALU SUR RAMPE	FUEL GALLERY ALUMINIUM PLUG	2
22	EQ368	CORPS DE PAPILLON COMPLET	COMPLETE THROTTLE BODY	4
	EQ283	CAPTEUR PAPILLON	THROTTLE POSITION SENSOR	1
	EQ354	VIS REGLAGE DEPRESSION	PRESSURE REGULATION SCREW	6
	EQ355	ECROU DE VIS REGLAGE DEPRESSION	PRESSURE REGULATION NUT	6
	EQ254	JOINT TORIQUE D2 D54 VITON	VITON CIRCULAR GASKET D2 D54	4
	EQ356	CACHE GRAVEE ADMISSION	LARGE INLET MANIFOLD COVER	2
	EQ357	VIS MAINTIENT CACHE AXE	MAIN SHAFT COVER SCREWS	10
	EQ358	VIS MAINTIENT CORPS SUR BRIDE	MANIFOLD COVER SCREWS	12
	EQ360	CACHE AXE PRINCIPAL	MAIN SHAFT COVER PLATE	3