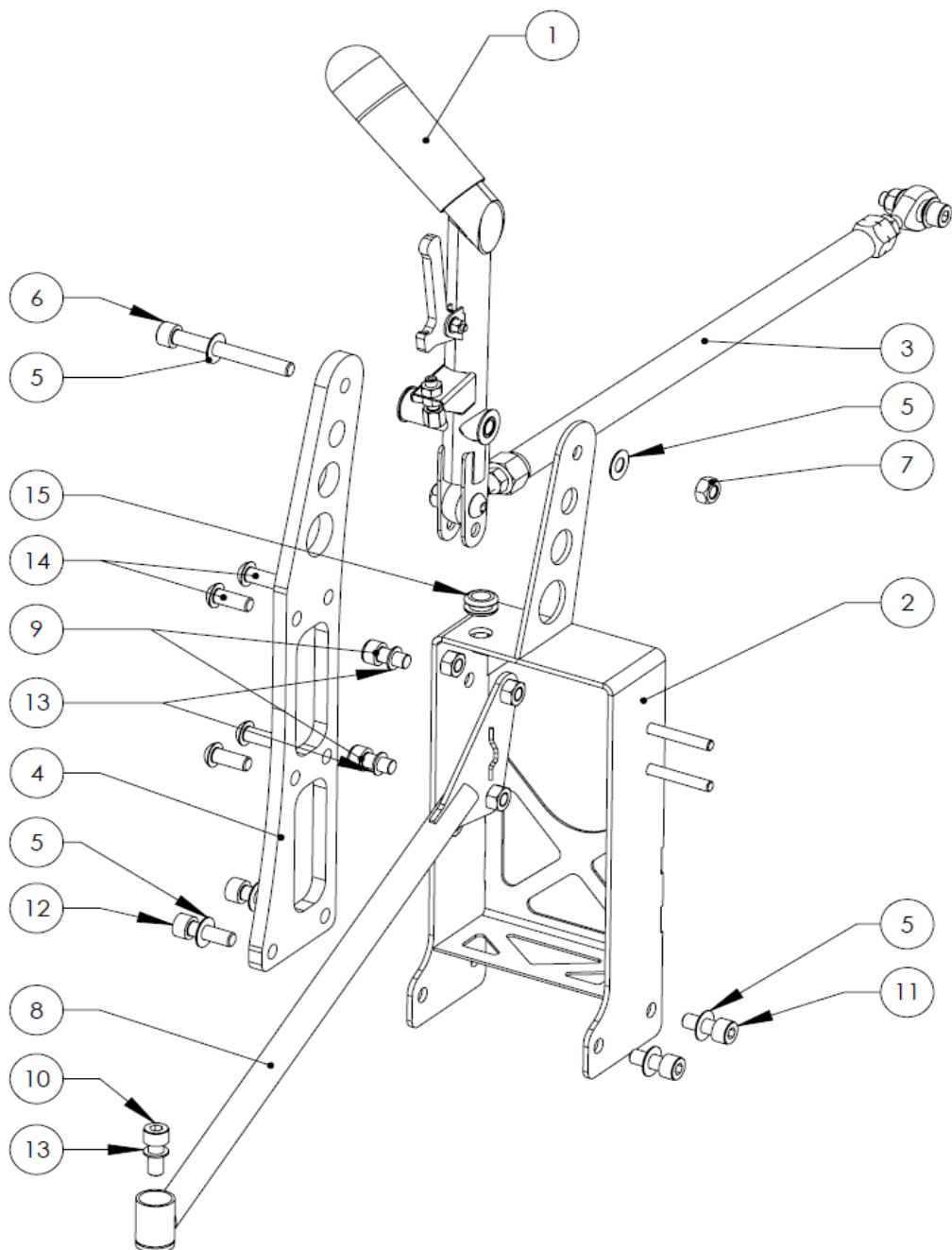


COMMANDE DE BOITE DE VITESSE



TARIFS HT

N°	REF	DESCRIPTION	DESCRIPTION	QTE
1	BV230	LEVIER DE VITESSE ASSEMBLE	GEAR LEVER ASSEMBLY	1
2	BV214	ARCEAU AVT TRANS LONGI	GEAR LEVER SUPPORT STRUCTURE	1
3	BV215	BIELLETTTE ASSEMBLEE COM BV	GEAR COMMAND ROD ASSEMBLY	1
4	BV216	SUPPORT LEVIER VITESSE	GEAR LEVER SUPPORT SIDE PLATE	1
5	EQ228	RONDELLE D8 ONDULEE	ANTI VIBRATION WASHER D8	6
6	BV218	VIS CHC M8x70-30 CL12.9	CAP HEAD SCREW M8X70-30 CL12.9	1
7	BV219	ECROU M8 NYLSTOP ZINGUE	ZINC NYLOCK NUT M8	1
8	BV223	RENFORT CDE BV	GEAR LEVER SUPPORT STAY BAR	1
9	BV224	VIS CHC M8x16 CL12.9	CAP HEAD SCREW M8X16 CL12.9	2
10	CC234	VIS CHC M8X20 CL8.8 ZN	CAP HEAD SCREW CHC M8X20 CL8.8	1
11	CH244	VIS CHC M8x20 cl 12.9	CAP HEAD SCREW M8X20 CL 12.9	2
12	PT222	VIS CHC M8X25 CL12.9	CAP HEAD SCREW M8X25 CL12.9	2
13	PT221	RONDELLE D8 SCHNORR	SCHNORR WASHER D8	3
14	BV220	VIS BHC M8x20 CL10.9	TRUSS HEAD SCREW M8X20 CL10.9	4
15	EQ248	PASSE-FIL D10 D17.5 ep4.0	GROMMET D10 D17.5 4.0mm	1