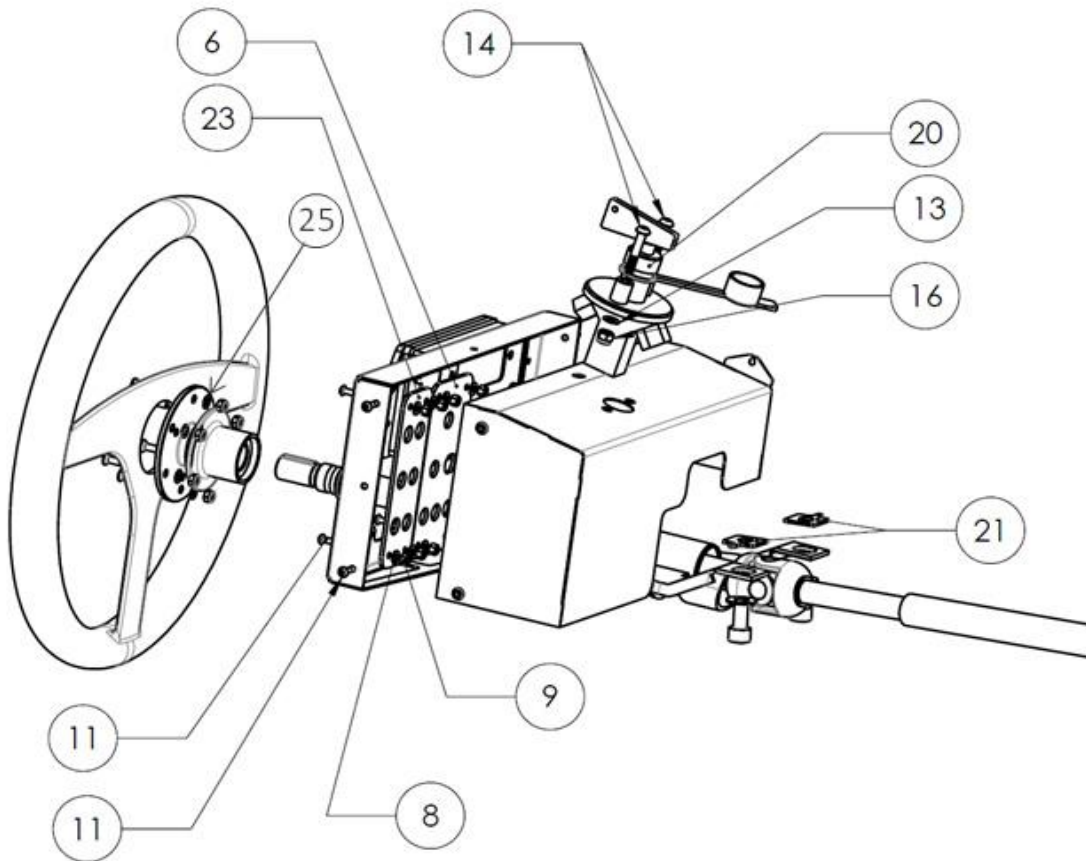
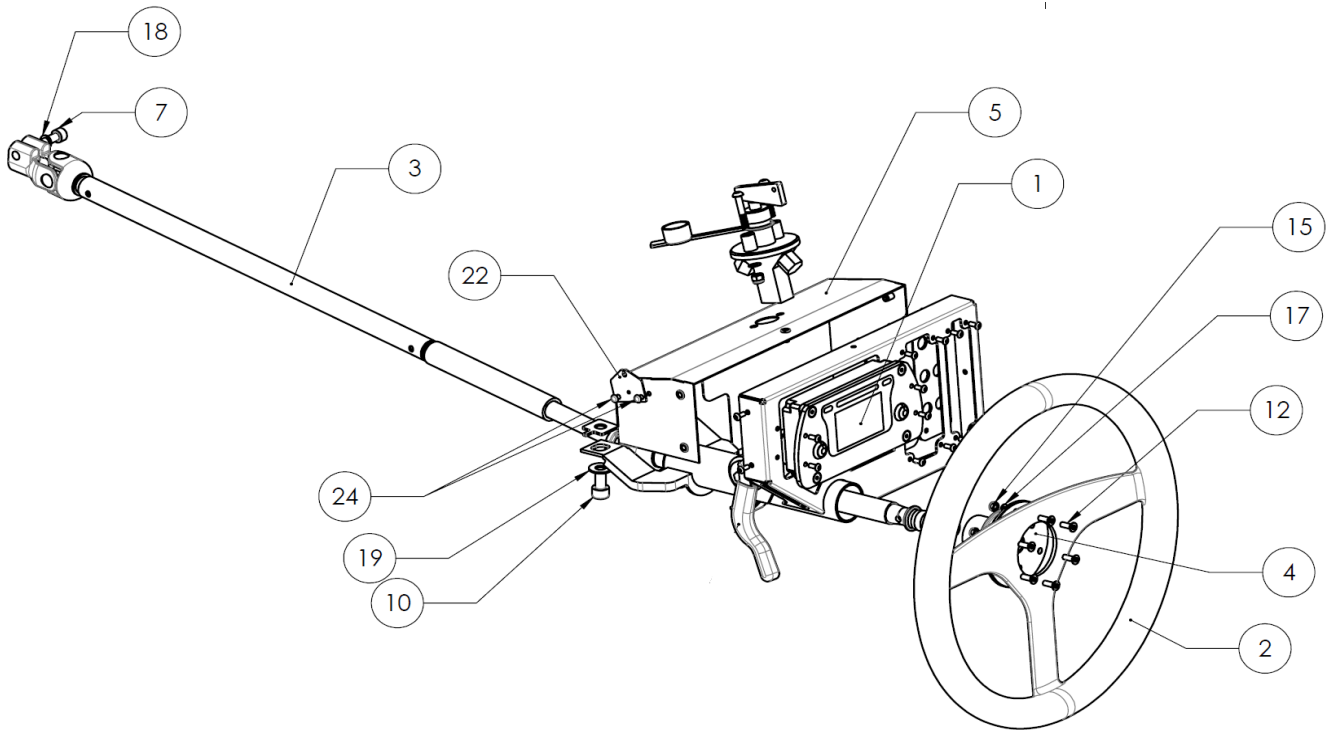


COLONNE DIRECTION





**MITJET
SERIES
RUSSIA**

POWERED BY ARCTIC ENERGY

TARIFS HT

N°	REF	DESCRIPTION	DESCRIPTION	QTE
1	D201	DASHBOARD SX DASH	SX DASH DISPLAY	1
2	D202	VOLANT D330	STEERING WHEEL D330	1
3	D203	COLONNE DIRECTION	STEERING COLUMN	1
4	D204	QUICK RELEASE COTE VOLANT	STEERING WHEEL QUICK RELEASE	1
5	D205	CASQUETTE TABLEAU DE BORD	DASH BOARD COVER	1
6	D206	PLATINE INTERUPTEUR	SWITCH PANEL	1
7	EQ242	VIS CHC M8x30 CL12.9	CAP HEAD SCREW M8X30 CL12.9	1
8	PT252	RONDELLE D4 D9 75 EP0 75 PLATE	WASHER D4 D9 75 EPO 75 PLATE	8
9	D209	ECROU M4 NYLSTOP BICHROMATE	BICHROME NYLOCK NUT M4	8
10	TAV252	VIS CHC M10x20 CL 12.9	CAP HEAD SCREW M10X20 CL12.9	2
11	D210	VIS BHC M4x10 CL12.9	TRUSS HEAD SCREW M4X10 CL12.9	16
12	D212	VIS FHC M5x15	COUNTER SUNK SCREW M5X15	6
13	EQ225	RONDELLE D6 D12 EP0 5 ONDULEE	ANTI VIBRATION WASHER D6 D12 0.5mm	2
14	D214	VIS BHC M6x35 CL10.9	TRUSS HEAD SCREW M6X35 CL10.9	2
15	EQ233	ECROU M5 NYLSTOP	NYLOCK NUT M5	6
16	CC245	ECROU M6 NYLSTOP ZINGUE	ZINC NYLOCK NUT M6	2
17	ELC204	RONDELLE D5 ONDULEE	ANTI VIBRATION WASHER D5	6
18	PT221	RONDELLE D8 SCHNORR	SCHNORR WASHER D8	1
19	EQ220	RONDELLE D10 D22 CONTACT	CONTACT WASHER D10 D22	2
20	D219	COUPE CIRCUIT	BATTERY CUT OFF SWITCH	1
21	D221	CALE COLONNE DE DIRECTION	STEERING COLUMN SUPPORT BRACKET	2
22	D211	ARRET GAINÉ COUPE CIRCUIT	BATTERY CUT OFF SWITCH CABLE STOP	1
23	D213	PLAQUE INTERRUPTEUR KIT END	SWITCH PANEL END KIT	2
24	CC273	RIVET POP D4x10	POP RIVET D4X10	2
25	OPT9	ADAPTATEUR NOIR POUR VOLANT	BLACK STEERING WHEEL ADAPTOR PLATE	1
	TB05	TIRETTE COUPE CIRCUIT	BATTERY CUT OFF PULL CORD	1
	TB06	SERRE CABLE	CABLE CLAMP	1