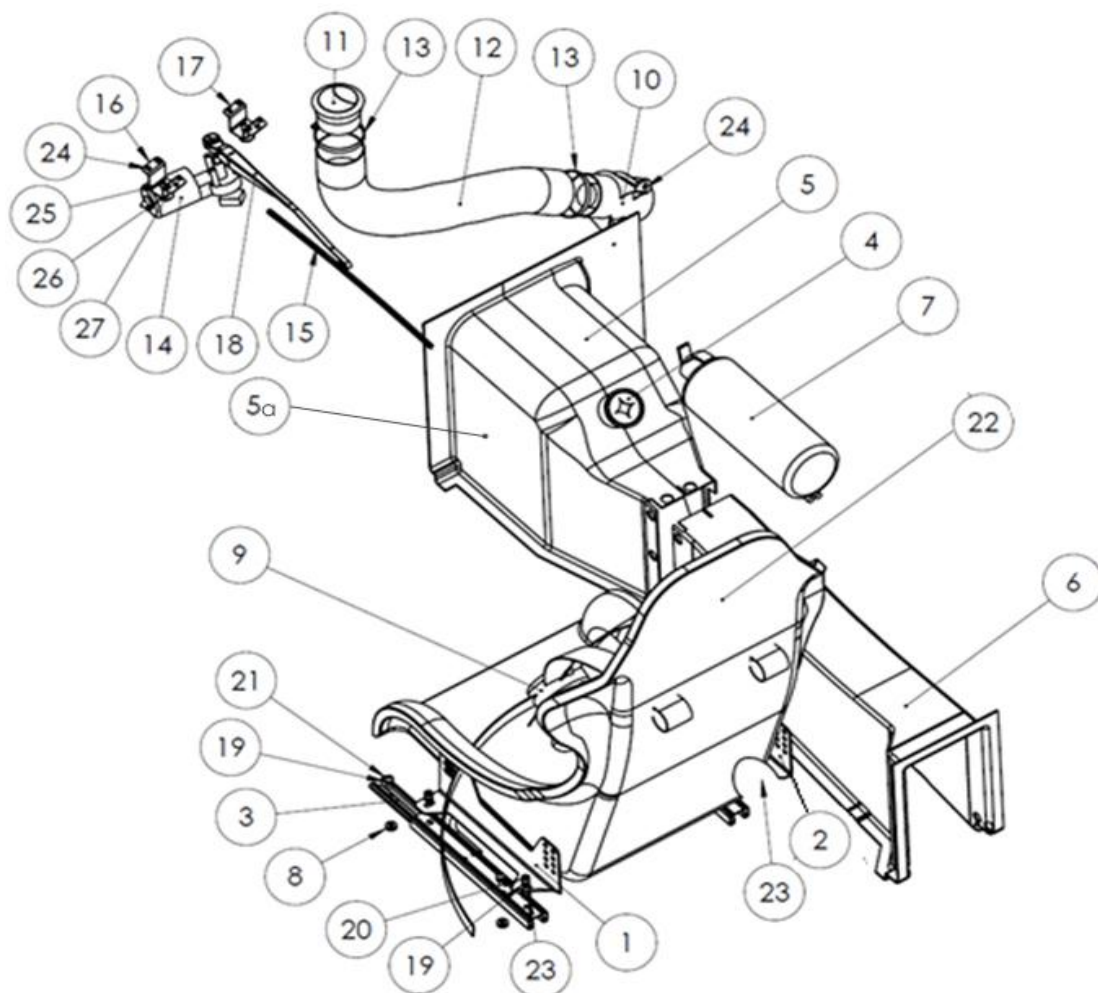


## HABITACLE



### TARIFS HT

N°	REF	DESCRIPTION	DESCRIPTION	QTE
1	H204	EQUERRE G SIEGE PILOTE 2L	LEFT HAND SEAT FRAME 2L	1
2	H205	EQUERRE D SIEGE PILOTE 2L	RIGHT HAND SEAT FRAME 2L	1
3	H201	GLISSIERE DE SIEGE MITJET	MITJET SEAT SLIDE	1
4	H212	JOINT PASSE FILS A MEMBRANE	CABLE DUCT	1
5	H208	TUNNEL AVANT D	FRONT RIGHT TUNNEL	1
5a	H209	TUNNEL AVANT G	FRONT LEFT TUNNEL	1
6	H211	TUNNEL ARRIERE FIBRE	REAR TUNNEL	1
7	H03	EXTINCTEUR MANUEL + SUPPORT	MANUAL FIRE EXTINGUISHER WITH	1
8	H207	ENTRETOISE GLISSIERE DE SIEGE	SEAT SLIDE SPACER	4
9	H210	HARNAIS PILOTE 2L	2L SEAT HARNESS	1
10	CC266	VENTILATEUR D HABITACLE	CABIN VENTILATOR	1
11	CC268	DIFFUSEUR D'AIR HABITACLE	CABIN AIR DIFFUSER	1
12	CC267	GAINE VENTILATION	VENTILATION PIPE	1
13	EQ3021	COLLIER SERFLEX D60 D80	SERFLEX CLAMP D60 D80	2
14	CC264	MOTEUR ESSUIE GLACE	WINDSCREEN WIPER MOTOR	1
15	CC262	ESSUIE GLACE	WINDSCREEN WIPER	1
16	CC265	SUPPORT MOTEUR ESSUIE GLACE	WINDSCREEN WIPER MOTOR SUPPORT	1
17	CC265	SUPPORT MOTEUR ESSUIE GLACE	WINDSCREEN WIPER MOTOR SUPPORT	1
18	CC263	PORTE BALAI ESSUIE GLACE	WINDSCREEN WIPER ARM	1
19	PT221	RONDELLE D8 SCHNORR	SCHNORR WASHER D8	1
20	BV224	VIS CHC M8x16 CL12.9	CAP HEAD SCREW M8X16 CL12.9	1
21	BV220	VIS BHC M8x20 CL10.9	TRUSS HEAD SCREW M8X20 CL10.9	4
22	H01	SIEGE PILOTE	SEAT	1
23	BV219	ECROU M8 NYLSTOP ZINGUE	ZINC NYLOCK NUT M8	4
24	CC273	RIVET POP D4x10	POP RIVET D4X10	12
25	FR227	ECROU A SERTIR M6	NUT SERT M6	2
26	CC289	RONDELLE D6 D24 PLATE	WASHER D6 D24	2
27	CC218	VIS CHC M6-30 CL8.8 ZN	CAP HEAD SCREW M8830 CL8.8 ZINC	2