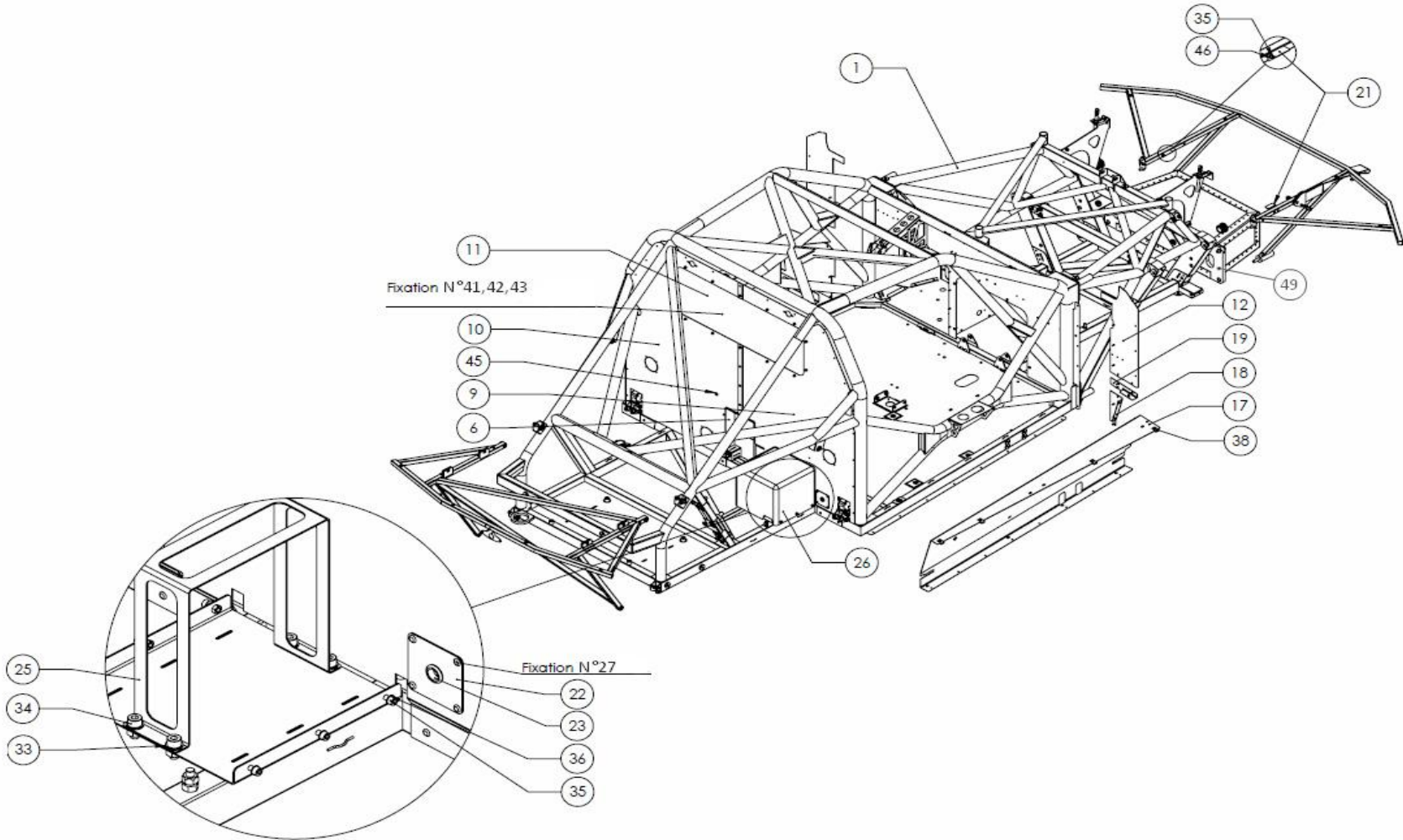




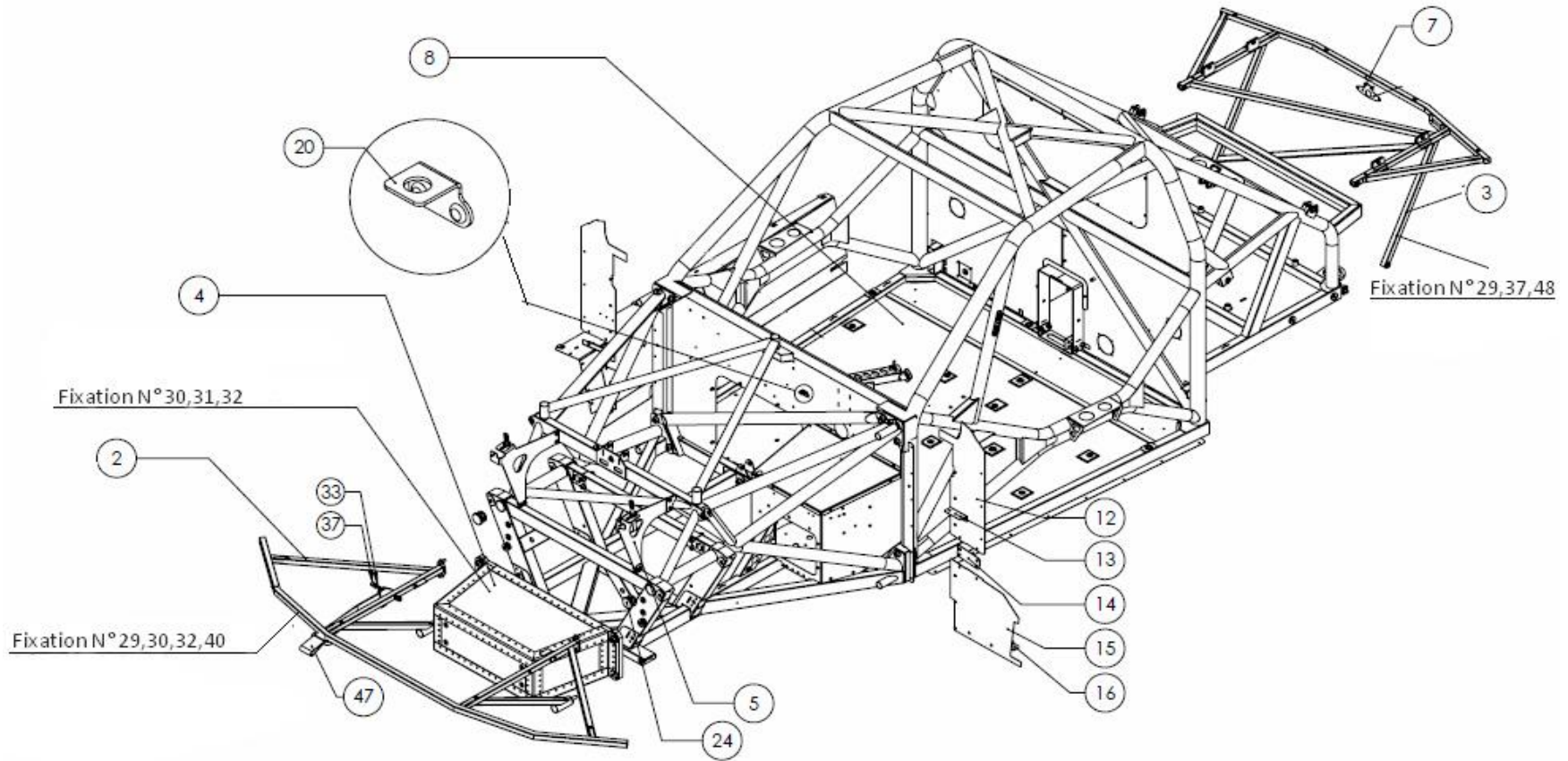
CHASSIS





MITJET
SERIES
RUSSIA
POWERED BY ARCTIC ENERGY

CHASSIS





**MITJET
SERIES
RUSSIA**

POWERED BY ARCTIC ENERGY

TARIFS HT

N°	REF	DESCRIPTION	DESCRIPTION	QTE
1		(cf CHASSIS NU)	(cf CHASSIS FRAME)	
2	CH202	PARE BUFFLE AVANT	FRONT CRASH BAR	1
3	CH211	PARE BUFFLE AR	REAR CRASH BAR	1
4	CH205	CRASH BOX ASSEMBLEE	CRASH BOX ASSEMBLY	1
5		(cf SUPPORT RADIATEUR CAPOT)	(cf FRONT SHELL SUPPORT)	
6	CH208	ARCEAU ARR TRANS LONGI	REAR TRANSMISSION TUNNEL LONG	1
7	CH213	SUPPORT FEU DE PLUIE	RAIN LIGHT SUPPORT BRACKET	1
8	CH203	TOLE PLANCHER ALU	ALUMINIUM FLOOR SHEET	1
9	CH210	CLOISON ARR DROITE	REAR RIGHT CLOSURE PANEL	1
10	CH209	CLOISON ARR GAUCHE	REAR LEFT CLOSURE PANEL	1
11	CH224	VITRE CLOISON ARR	REAR SCREEN	1
12	CH215	TOLE ETANCHEITE LATERALE AVANT	FRONT UPPER WATER SHIELD	2
13	CH220	SUPPORT BOCAL DE FREIN	BRAKE FLUID RESERVOIR SUPPORT BRACKET	1
14	CH218	INTERFACE ETANCHEITE AVG	FRONT LEFT WATER SHEILD COVER PLATE	1
15	CH214	TOLE ETANCHEITE BDC G	FRONT LEFT LOWER WATER SHIELD	1
16	CH235	EQUERRE BDC G TOLE ETANCHEITE	FRONT LEFT LOWER WATER SHIELD BRACKET	1
17	CH212	TOLE ETANCHEITE ECHAPPEMENT	EXHAUST WATER SHEILD	1
18	CH216	TOLE ETANCHEITE BDC DROIT	FRONT RIGHT LOWER WATER SHIELD	1
19	CH217	INTERFACE ETANCHEITE AVD	FRONT RIGHT WATER SHIELD COVER PLATE	1
20	CH222	SUPPORT PURGE EMBRAYAGE	CLUTCH BLEED NIPPLE SUPPORT BRACKET	1
21	CH225	TOLE SUPPORT RADIA	RADIATOR SUPPORT BRACKET	2
22	CH234	PASSE CLOISON FAISCEAU	WIRING LOOM THROUGH PLATE	1
23	CH237	PASSE FIL D12	RUBBER GROMMET D12	1
24	CH239	EMBOUT PLASTIQUE Ø40	PLASTIC NOZZLE Ø40	2
25	CH204	SANGLE BATTERIE	BATTERY STRAP	1
26	CH238	CACHE BATTERIE	BATTERY COVER	1
27	CC273	RIVET POP D4x10	POP RIVET D4X10	54
28	CC234	VIS CHC M8X20 CL8.8 ZN	CAP HEAD SCREW CHC M8X20 CL8.8 ZN	4
29	CC247	RONDELLE D8 EVENTAIL	SPRING WASHER D8	12
30	TAV210	RONDELLE D10 D18 EVENTAIL	SPRING WASHER D10 D18	4
31	TAV240	VIS CHC M10x35 CL12.9	CAP HEAD SCREW M10X35 CL12.9	2
32	TR202	VIS CHC M10x30 CL12.9	CAP HEAD SCREW M10X30 CL12.9	2
33	CH242	RONDELLE D8 D16 BICHROMATEE	BICHROME WASHER D8 D16	6
34	TAV211	VIS CHC M6x16 CL8.8 BRUTE	CAP HEAD SCREW M8X16 ZINC	4
35	RM207	VIS CHC M5-12 cl8.8 zn	CAP HEAD SCREW M5X12 CL8.8 ZINC	10
36	ELC204	RONDELLE D5 ONDULEE	ANTI VIBRATION WASHER D5	6
37	TAV259	VIS CHC M8x45-30 CL12.9	CAP HEAD SCREW CHC M8X45-30 CL12.9	5
38	TR06	CLIPS ECROU M6 24x16	CAPTIVE NUT M6 25X16	4
39	EQ228	RONDELLE D8 ONDULEE	ANTI VIBRATION WASHER D8	4
40	CH244	VIS CHC M8x20 cl 12.9	CAP HEAD SCREW M8X20 CL 12.9	4
41	RE226	VIS BHC M4x12 CL10.9	TRUSS HEAD SCREW M4X12 CL 12.9	14
42	PT252	RONDELLE D4 D9 75 EP0 75 PLATE	WASHER D4 D9 75 EPO 75 PLATE	14
43	D209	ECROU M4 NYLSTOP BICHROMATE	BICHROME NYLOCK NUT M4	14
44	CH249	ECROU A SERTIR M5-7-11.5 ALU	NUT SERT M5-7-11.5 ALUMINIUM	13
45	FR227	ECROU A SERTIR M6	NUT SERT M6	3
46	P233	RONDELLE D5 PLATE ZINGUEE	ZINC WASHER D5	4
47	CH229	SANGLE REMORQUAGE	TOW HITCH	1
48	CH236	ECROU M8 NYLSTOP BICHROMATE	BICHROME NYLOCK NUT M8	6
49	CH227	KIT DE REPARATION CRASH BOX	CRASH BOX REPAIR KIT	1